

# arco illumination en-vision

## AIS Linked Gyro-Stabilized LED Search Light Series

A marine rescue search light system series with dual-axis azimuth control, gyro-stabilized beam projection and AIS linked rescue module.

The searchlight has an azimuth control structure capable of 360-degree horizontal rotation and 270-degree elevation/depression angle adjustment, a gyroscope, and an LED light source module with a built-in adjustable zoom structure.

System architecture: Dual-input – waterproof RJ45 (TCP/IP) + waterproof RS-485 (Pelco-D), firmware-selectable. NMEA 2000 compatibility at the system level via the GL Digital Joystick controller. Direct light-side NMEA 2000 / CAN port planned for v2 (2027).



© 2026 Arco Illumination Pte. Ltd.

Protected by U.S. Patent No. 12,600,445 B1 (Marine Rescue Searchlight System with Dual-Axis Azimuth Control and Gyro-Stabilized Beam Projection) and U.S. Patent No. 11,096,254 B1 (Multi-Scattered Light-Source Illumination Apparatus). Additional patents pending in EU, JP, CN, AU.

All rights reserved. Specifications are subject to change without notice. No representation or warranty as to the accuracy or completeness of the information included herein is given and any liability for any action in reliance thereon is disclaimed.

# Specifications: en-vision 6

## General

Power Consumption	115W Max
Power Supply	12-24VDC
Illumination Intensity (peak)	1.5+ MCD
Optical Distribution	1.8° (50%) / 3.9° (10%)
Correlated Color Temperature	5700K
Optical Span	1lux @ ~1.2 km

## System Specifications

Primary Connection	RJ45 / RS485 Dual
Command and Control	PELCO-D (RS-485) TCP-IP (RJ45)
Horizontal Rotation	360°
Vertical Rotation	270°
AIS Linked	Yes

## Environmental

Operating Temperature	-40° C to 55° C
Storage Temperature	-40° C to 85° C
Ingress	IP67
Impact (mechanical)	IK08
Shock (IEC 60068-2-27 )	30g /11ms
ESD	EN 61000-4-2 Level 4



arco illumination

© 2026 Arco Illumination Pte. Ltd.

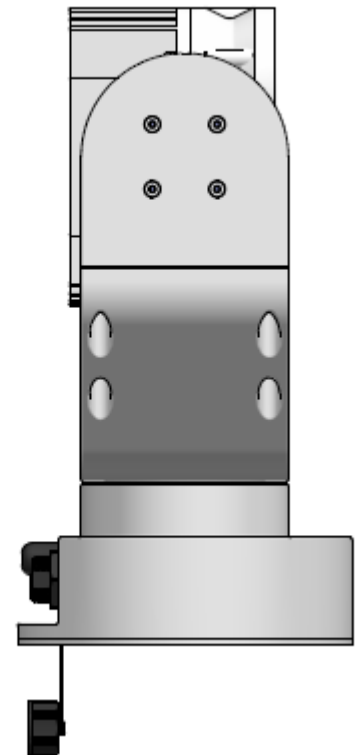
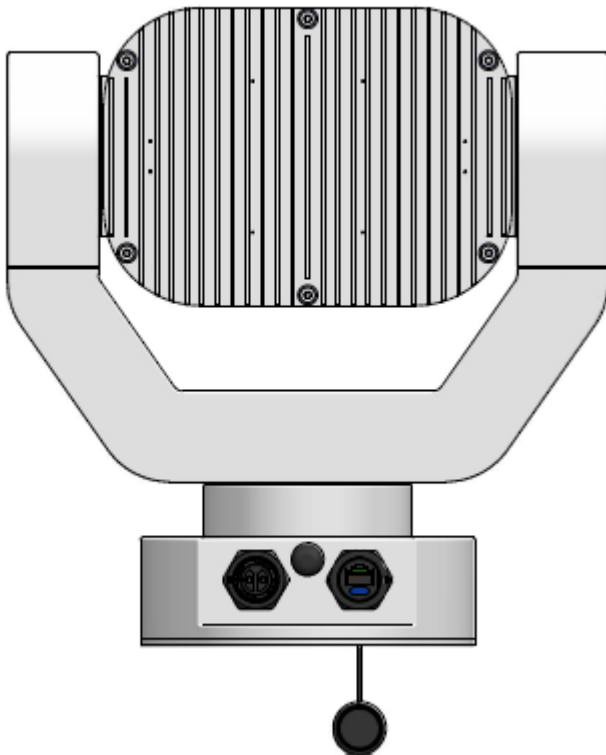
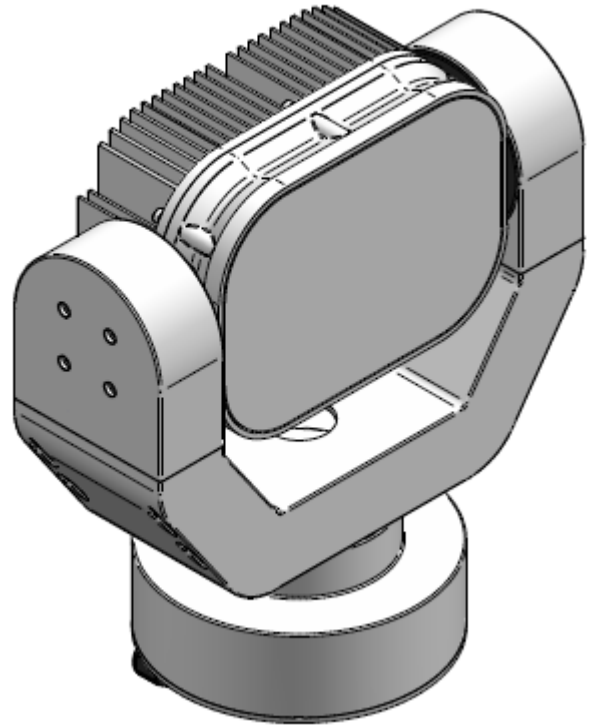
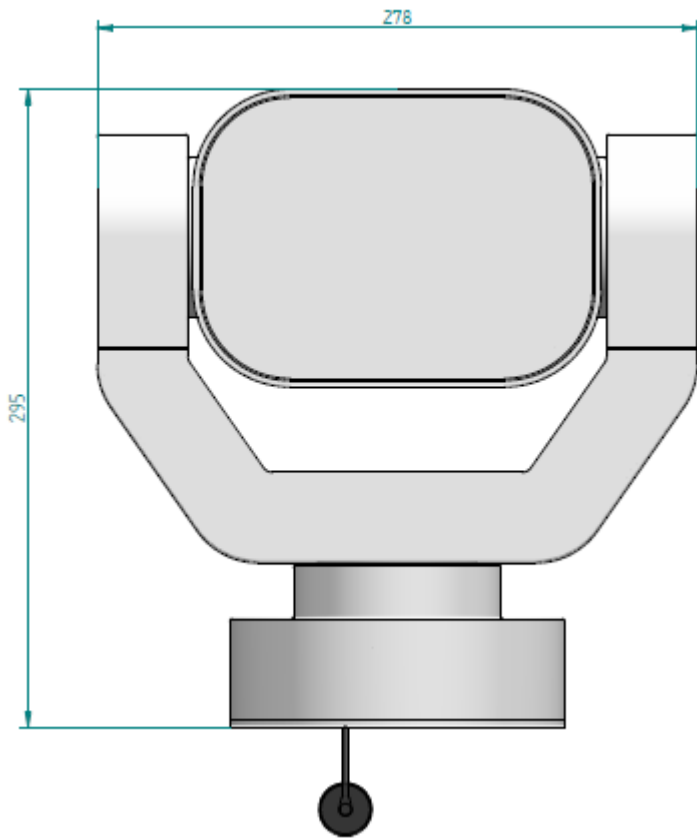
All rights reserved. Specifications are subject to change without notice. No representation or warranty as to the accuracy or completeness of the information included herein is given and any liability for any action in reliance thereon is disclaimed.

# Specifications: en-vision 6

## Dimensions

Size  
Weight

295 x 278 x 155mm  
6.5kg



arco illumination

© 2026 Arco Illumination Pte. Ltd.  
All rights reserved. Specifications are subject to change without notice. No representation or warranty as to the accuracy or completeness of the information included herein is given and any liability for any action in reliance thereon is disclaimed.

# Specifications: en-vision 18

## General

Power Consumption	220W Max
Power Supply	12-24VDC
Illumination Intensity (peak)	6.0+ MCD
Optical Distribution	1.8° (50%) / 3.9° (10%)
Correlated Color Temperature	5700K
Optical Span	1lux @ ~2.45 km

## System Specifications

Primary Connection	RJ45 / RS485 Dual
Command and Control	PELCO-D (RS-485) TCP-IP (RJ45)
Horizontal Rotation	360°
Vertical Rotation	270°
AIS Linked	Yes

## Environmental

Operating Temperature	-40° C to 55° C
Storage Temperature	-40° C to 85° C
Ingress	IP67
Impact (mechanical)	IK08
Shock (IEC 60068-2-27 )	30g /11ms
ESD	EN 61000-4-2 Level 4



**arco illumination**

© 2026 Arco Illumination Pte. Ltd.

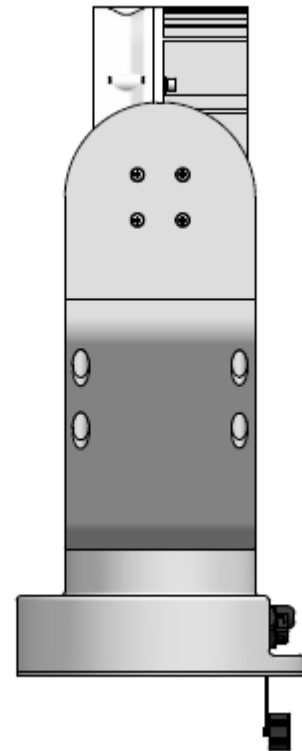
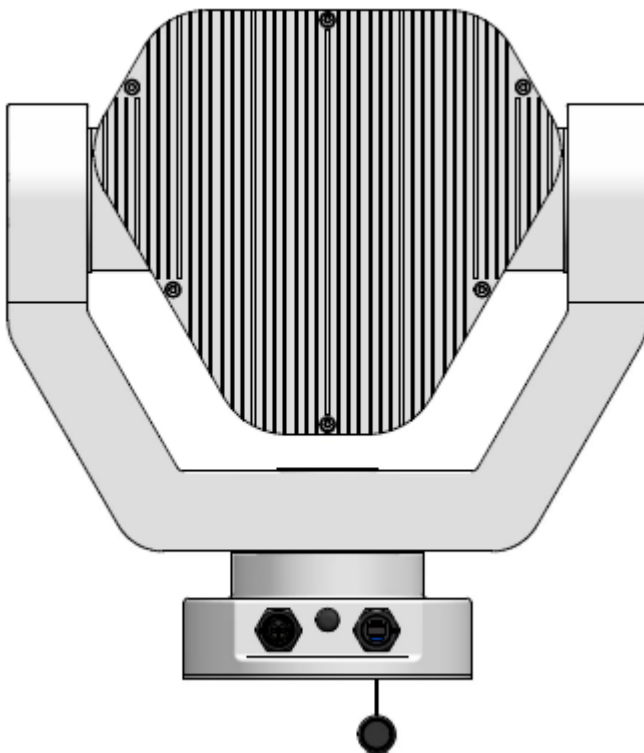
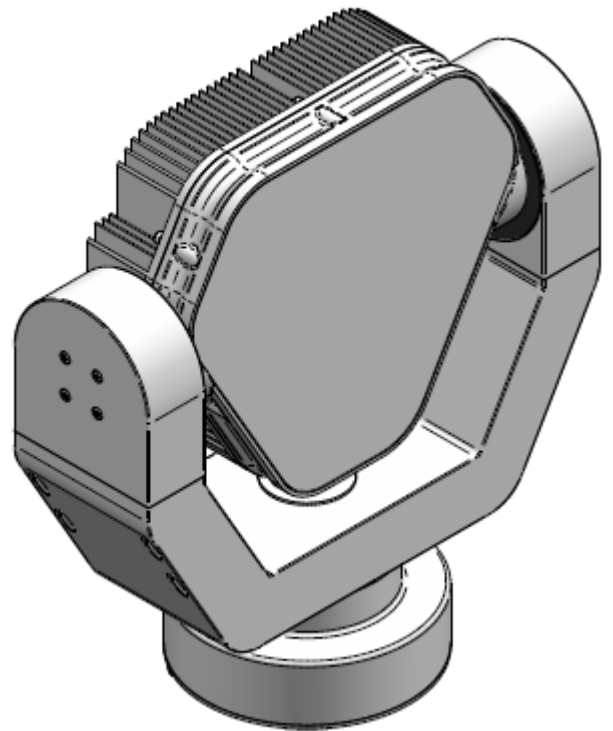
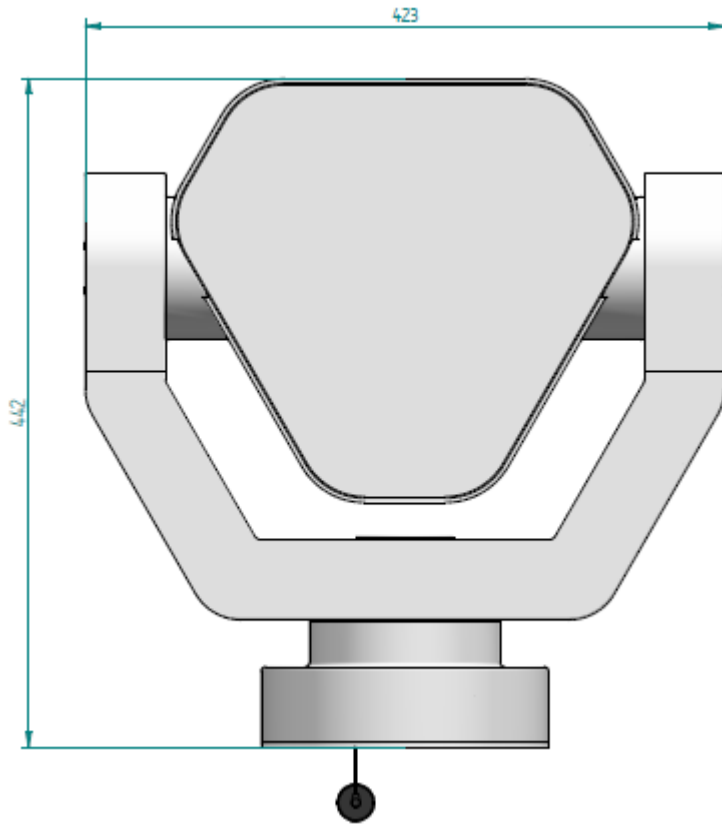
All rights reserved. Specifications are subject to change without notice. No representation or warranty as to the accuracy or completeness of the information included herein is given and any liability for any action in reliance thereon is disclaimed.

# Specifications: en-vision 18

## Dimensions

Size  
Weight

442 x 423 x 190mm  
16.5kg



arco illumination

© 2026 Arco Illumination Pte. Ltd.  
All rights reserved. Specifications are subject to change without notice. No representation or warranty as to the accuracy or completeness of the information included herein is given and any liability for any action in reliance thereon is disclaimed.

# Specifications: en-vision 27\*

## General

Power Consumption	290W Max
Power Supply	48VDC (6.0A)
Illumination Intensity (peak)	9.0+ MCD
Optical Distribution	1.8° (50%) / 3.9° (10%)
Correlated Color Temperature	5700K
Optical Span	1lux @ ~3.0 km

## System Specifications

Primary Connection	RJ45 / RS485 Dual
Command and Control	PELCO-D (RS-485) TCP-IP (RJ45)
Horizontal Rotation	360°
Vertical Rotation	270°
AIS Linked	Yes

## Environmental

Operating Temperature	-40° C to 55° C
Storage Temperature	-40° C to 85° C
Ingress	IP67
Impact (mechanical)	IK08
Shock (IEC 60068-2-27 )	30g /11ms
ESD	EN 61000-4-2 Level 4

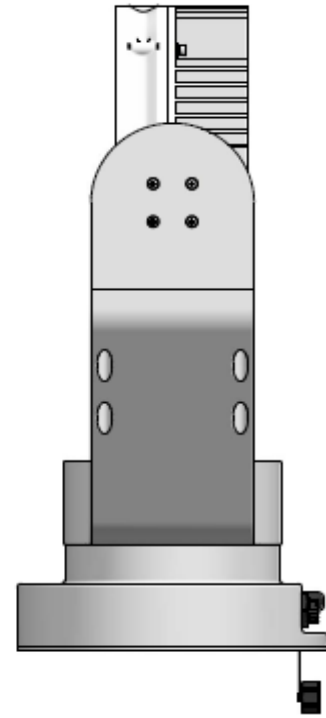
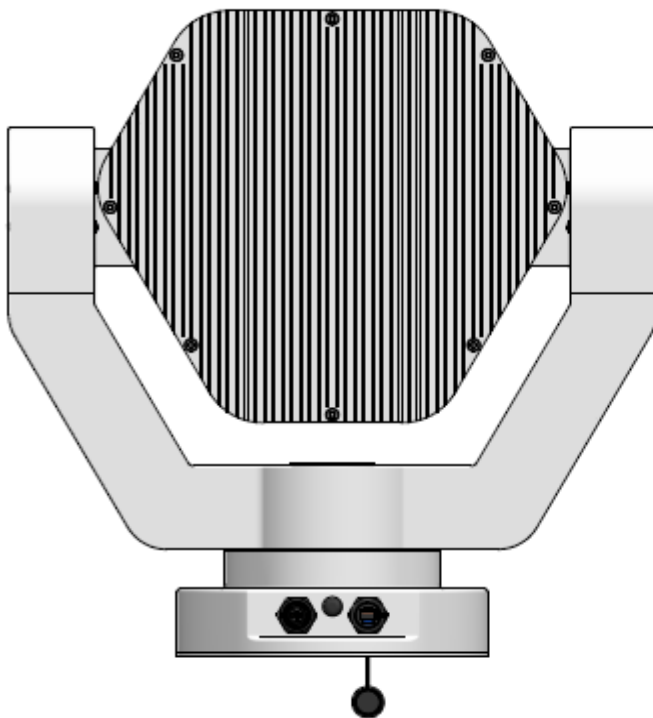
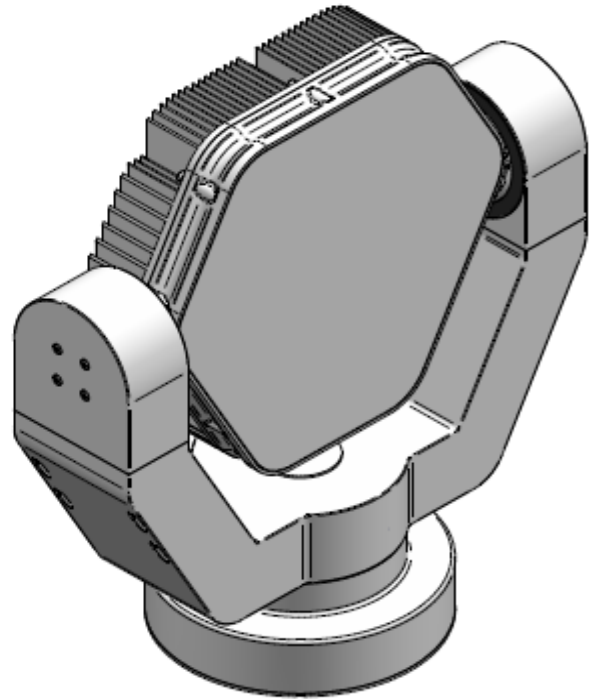
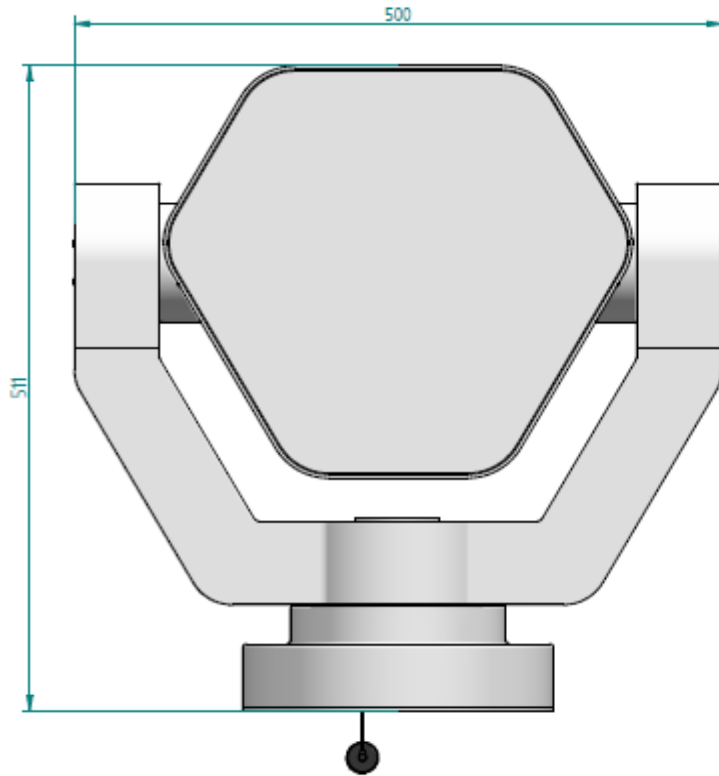


# Specifications: en-vision 27\*

## Dimensions

Size  
Weight

511 x 500 x 240mm  
~25 kg (TBD)



arco illumination

© 2026 Arco Illumination Pte. Ltd.  
All rights reserved. Specifications are subject to change without notice. No representation or warranty as to the accuracy or completeness of the information included herein is given and any liability for any action in reliance thereon is disclaimed.

# arco illumination en-vision

## AIS Linked Gyro-Stabilized LED Search Light Series

\*Calculated Values:

The input power, current, luminaire luminous flux, radiant power, chromaticity, forward voltage measurements are calculated specifications only. Actual results will vary..



© 2026 Arco Illumination Pte. Ltd.

Protected by U.S. Patent No. 12,600,445 B1 (Marine Rescue Searchlight System with Dual-Axis Azimuth Control and Gyro-Stabilized Beam Projection) and U.S. Patent No. 11,096,254 B1 (Multi-Scattered Light-Source Illumination Apparatus). Additional patents pending in EU, JP, CN, AU.

All rights reserved. Specifications are subject to change without notice. No representation or warranty as to the accuracy or completeness of the information included herein is given and any liability for any action in reliance thereon is disclaimed.